

SHRIRAM SOLAR

PM SURYA GHAR : MUFTI BIJLI YOJNA

FAQ

DO YOU TAKE CARE OF INSTALLATIONS ?

Yes, we will provide all the parts necessary like structures, AC/DC Distribution Boxes, Cables, etc and our massive team of service engineers and employees will take care of installation

WHICH DISTRICTS DO YOU SUPPLY TO ?

we deliver and install all over TamilNadu.

CAN I CANCEL AFTER REGISTERING ?

After registration, you will get a consultation from our employees. You can cancel anytime before placing a purchase order (Note : Any amount that you paid to the EB is not refundable upon cancellation)

DO THE SOLAR PANELS WORK DURING POWER CUTS ?

NO. The solar inverters used for ON-Grid projects have anti-islanding protection. This means that the inverter would stop supplying energy to your residence's load and to the TANGEDCO grid during power cuts, shutdowns (or) when the grid is switched off for maintenance

SHRIRAM SOLAR

PM SURYA GHAR : MUFTI BIJLI YOJNA

FAQ

CAN I MAKE MY EB BILL " 0 " INR ?

Yes. Its 100% possible with the new 'Net Metering' billing method for On-Grid solar systems.

WHAT IS 'NET METERING' ?

The solar energy produced during the day is used to power your residence's load. If the energy produced is more than the residence's consumption, then the excess is **exported** to the TANGEDCO grid. At night, energy is **imported** from the TANGEDCO grid to power your residence's load.

In Net Metering, you pay for the difference between the imported and exported energy

EXAMPLE : Let's take, for the 1st month after installation, you exported a total of 800 Units and imported 1100 units from the EB grid. You will be billed for $1100 - 800 = 300$ Units for the month

NOTE : During a 12 month period (the settlement period) the maximum of energy export that will be credited by TANGEDCO is 90% of the energy import. So, its advised to choose a solar plant size that has an annual generation of 90% of your estimated consumption

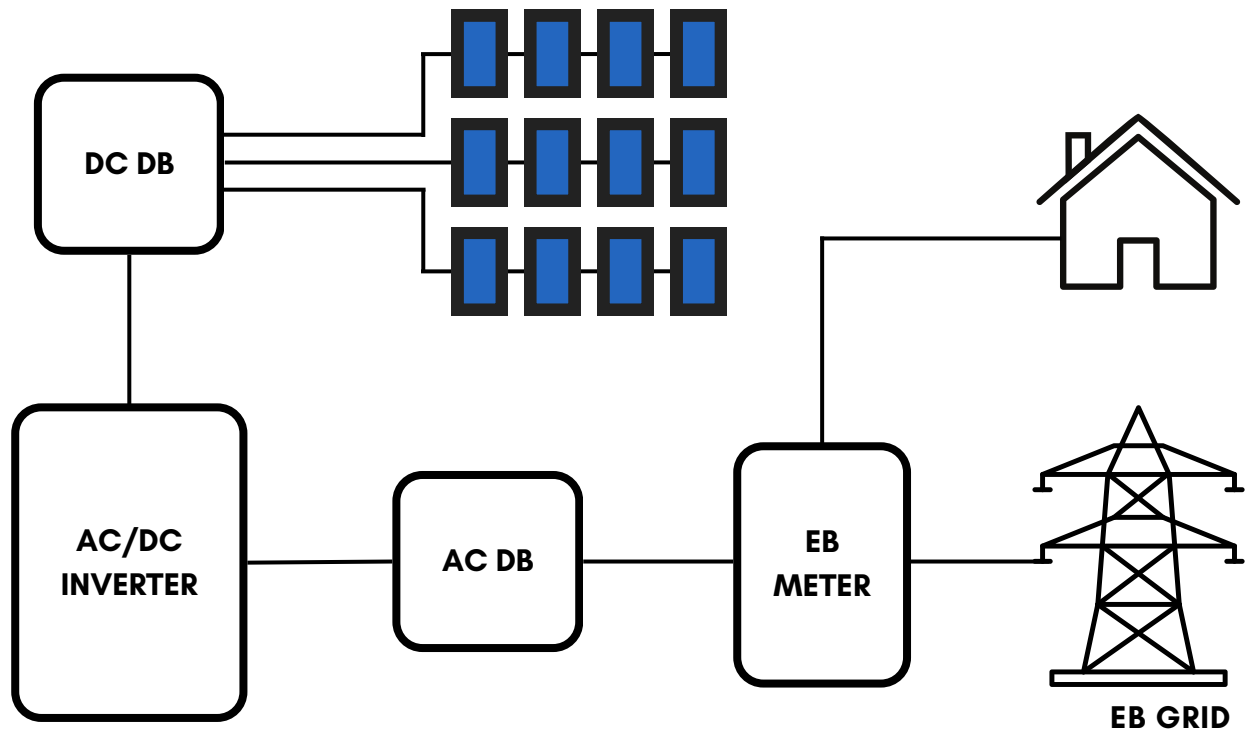
EXAMPLE : Let's take, for 2022, you import a total of 5000 units from TANGEDCO, then only 4500 units is eligible for adjustment

SHRIRAM SOLAR

PM SURYA GHAR : MUFTI BIJLI YOJNA

FAQ

HOW DOES IT WORK ?



- Sunlight is converted into DC current by the PV Panels
- Solar inverter converts the DC current into AC current
- The AC current is used to power the Residence's load
- Excess AC current is exported to the TANGEDCO grid

SHRIRAM SOLAR

PM SURYA GHAR : MUFTI BIJLI YOJNA

FAQ

HOW MUCH SUBSIDY CAN BE AVAILED?

System Size	Subsidy
1 kW	30,000 INR
2 kW	60,000 INR
3 kW and above	78,000 INR

SHRIRAM SOLAR

PM SURYA GHAR : MUFTI BIJLI YOJNA

FAQ

HOW TO APPLY FOR SUBSIDY ?

We will help you apply for the subsidy through national portal. The subsidy will be credited in 2-3 weeks.

WHAT IS INCLUDED IN THE PROJECT COST ?

Everything from site survey to installation and commissioning of your solar power plant. This includes separate earthing for the project

ARE THERE ANY OTHER EXPENSES ?

You'll have to pay **10,600 INR** up-front to the EB for the new bi-directional meter for Net Metering. Apart from this, any other EB department expenses are to be borne by the customer. This cost is not included in the project cost